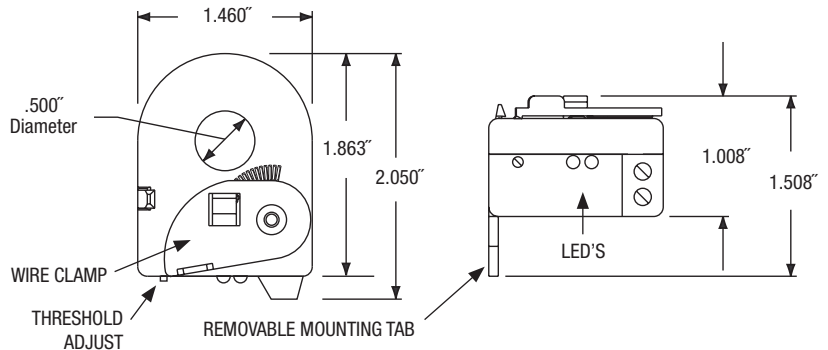


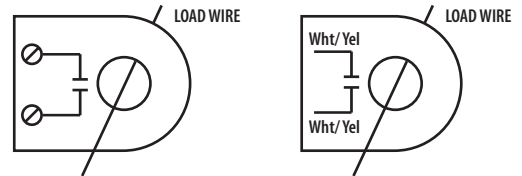


## Current Sensors Low-Voltage-Switching

### RIBXK Series Enclosed Solid Core Current Sensors



**SENSOR OUTPUT**  
 Solid State Contact  
 30 Vac/dc,  
 .4 Amp Max. RIBXKF, RIBXKTF  
 .8 Amp Max. RIBXKA, RIBXKTA  
 When current sensor status is off (open),  
 leakage < 30 uA @ 30Vac/dc  
 When current sensor status is on (closed),  
 voltage drop < .3 Vac/dc @ .1 Amp  
 < 1.6 Vac/dc @ .4 Amp



#### SPECIFICATIONS

**Operating Temperature:** -30 to 140° F  
**Max Sense Voltage:** 600 Vac  
**Approvals:** UL Listed, UL916, UL864, C-UL, California State Fire Marshal, CE, RoHS  
**Housing Rating:** Plenum, NEMA 1  
**Mounting/Installation:** Removable mounting tab provided. The wire clamp locks against the load wire, securing the unit in place.

#### RIBXK Series Selection Guide

MODEL #	RANGE	TYPE	THRESHOLD	OUTPUT	LED 1	LED 2
RIBXKF	.25-150 Amp	Solid Core	Fixed, .25 Amp	Solid State Switch SPST ; 30 Vac/dc ; .4 Amps Max (Wht/Yel 16" 18 AWG Wire Leads)		
RIBXKTF	.25-150 Amp	Solid Core	Fixed, .25 Amp	Solid State Switch SPST ; 30 Vac/dc ; .4 Amps Max (Terminal Strip, Accepts #14-22 AWG Wire)		
RIBXKA	.50-150 Amp	Solid Core	Adjustable	Solid State Switch SPST ; 30 Vac/dc ; .8 Amps Max (Wht/Yel 16" 18 AWG Wire Leads)	Over Trip Point	Under Trip Point
RIBXKTA	.50-150 Amp	Solid Core	Adjustable	Solid State Switch SPST ; 30 Vac/dc ; .8 Amps Max (Terminal Strip, Accepts #14-22 AWG Wire)	Over Trip Point	Under Trip Point

#### Notes